

# Modero® Touch Panels 5.2" Modero ViewPoint® Widescreen Touch Panel

Featuring Intercom with VoIP



**Sleek. Sexy. Powerful. No other words come to mind so quickly when describing the small, yet powerful 5.2" Modero ViewPoint Widescreen (MVP-5200i). Whether you need to instantly light every inch of a 20,000 square foot estate, turn down the A/C throughout a corporate campus, or simply shuffle through your favorite MP3s, the MVP-5200i rises to the occasion - discreetly from the palm of your hand.**

#### ULTRA BRIGHT WIDESCREEN DISPLAY

With 800x480 pixel resolution, the MVP-5200i is our brightest touch panel display. Colors are displayed crisply, clearly and accurately. Its 16x9 screen size provides plenty of widescreen multimedia display options.

#### WIRELESS CONVENIENCE AND SECURITY

Fully integrated 802.11b/g wireless communications give users outstanding wireless mobility and total system control. And communications remain secure utilizing network security standards including: WEP, WPA, WPA2, EAP-TLS, EAP-TTLS and PEAP.

#### DIGITAL INTERCOM BUILT IN

The integrated digital intercom featuring VoIP technology gives users the ability to create a high-quality intercom network with no additional equipment required. Calls sound incredibly clear and an unlimited number of intercom calls can occur simultaneously.

- Ultra-light, compact and thin form factor
- Available in your color choice of high-gloss black or high-gloss white
- Navigation wheel provides simple (up/down) or sophisticated control (up/down, right/left, select)
- Enhanced usability with microphone and speakers
- Faster processing and uses less energy
- Versatile placement and charging options including integrated kickstand, table charging station (MVP-TCS52) and wall charging station (MVP-WCS52)



PRELIMINARY SPECS - SUBJECT TO CHANGE

**MVP-5200i-GB, Gloss Black (FG5966-01)**  
**MVP-5200i-GW, Gloss White (FG5966-02)**

**DIMENSIONS (HWD)**

4 5/8" x 7 1/2" x 3/4" (11.7 cm x 19.1 cm x 2.0 cm)

**POWER**

110-240VAC +/- 10%, 50/60Hz

**MINIMUM POWER SUPPLY REQUIRED**

PS3.0 Power Supply (FG423-30):

All MVP-5200i models are shipped with this power supply

**POWER MODES**

- ON: Panel is fully functional
- STANDBY: Panel uses low power, the LCD/backlight is shutdown, LEDs still function. Panel resumes the ON mode in ~ 1 second
- Power down mode: panel resumes ON with a touch in about 1 minute

**CERTIFICATIONS**

- FCC Part 15 Class B and CE
- IEC60950

**BATTERY DURATION**

- Eight hours of continuous use
- Four days in standby mode

**MEMORY**

- 128 MB NAND FLASH
- 128 MB Mobile DDRAM

**WEIGHT**

1.2 lbs (0.6 kg)

**SCREEN PROPERTIES**

- Screen resolution: 800 x 480 pixels WVGA
- Aspect ratio: 16 x 9
- Brightness (luminance): 400 cd/m2
- Display colors: 16.7 M colors (24-bit color depth)
- Dot/pixel pitch: 180 dpi
- Panel type: TFT Color Active-Matrix

**VIEWING ANGLE**

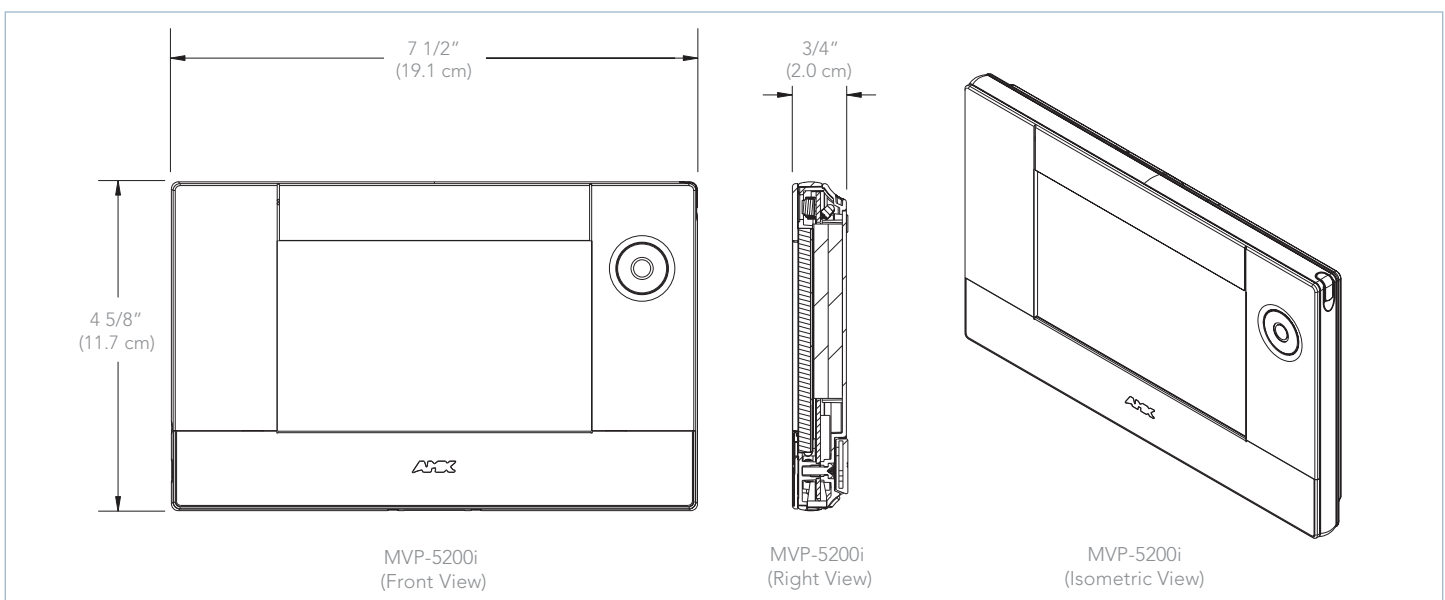
Vertical: + 80° (up from center) and - 40° (down from center)

**OPERATING/STORAGE ENVIRONMENTS**

- Operating Temperature: 0° C (32° F) to 40° C (104° F)
- Operating Humidity: 20% - 85% RH
- Storage Temperature: -20° C (-4° F) to 60° C (140° F)
- Storage Humidity: 5% - 85% RH

**INCLUDED ACCESSORIES**

- PS3.0 Power Supply (FG423-30)
- Stylus (pre-installed onto the left side of the unit)
- Integrated battery



IT'S YOUR WORLD. TAKE CONTROL.